

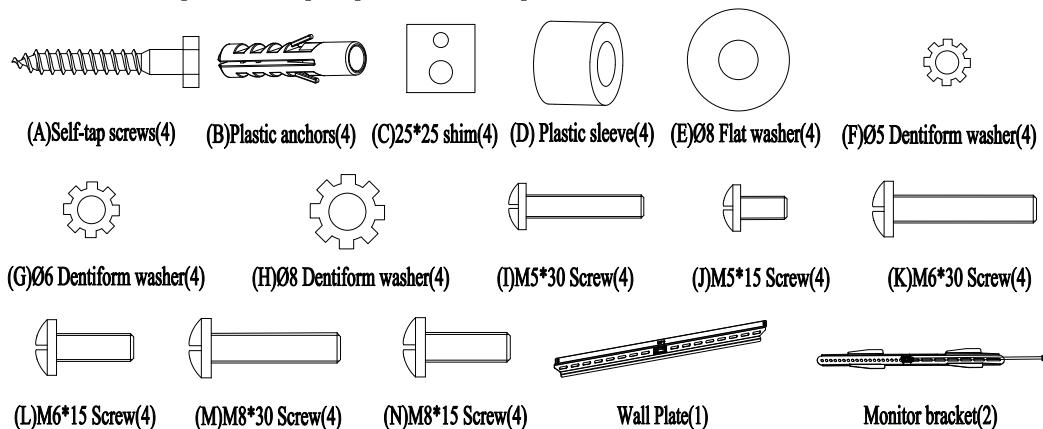
LCD/Plasma Wall Bracket Instruction Type YD-LCD-8794

1. Technical parameter

Weight : 2.6kg; Size of flat panel TV: 37"~63"; Maximum load: 60kg;
Distance from wall: 15.5mm.

2. Part List

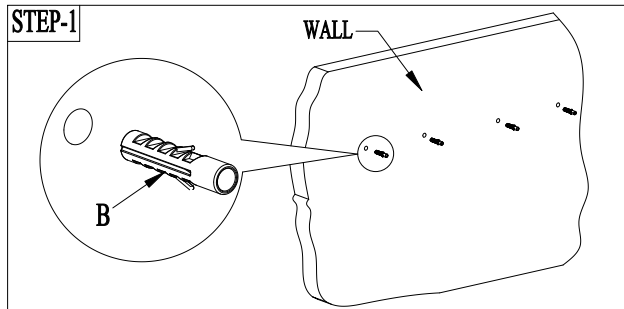
Please check the parts in the package in comparison with the following list. Make sure all of the parts are in the package. Never use defective parts. Never replace part with different specification.



3. Installation and operation instructions

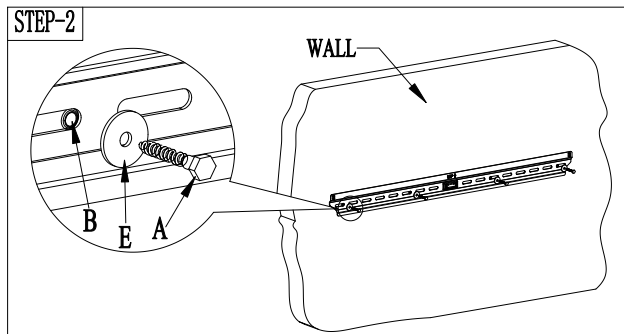
Note: please read the instructions carefully before installation!

STEP-1



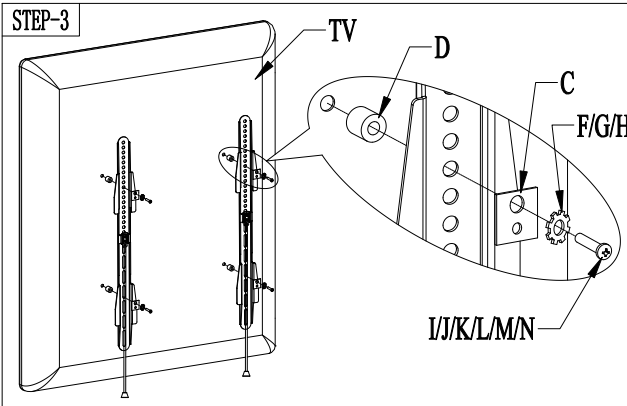
Step 1: Use the wall plate as a templet to drill four holes of 10mm diameter and 50mm depth in the concrete wall. Then wedge four plastic concrete anchors into the holes.

STEP-2



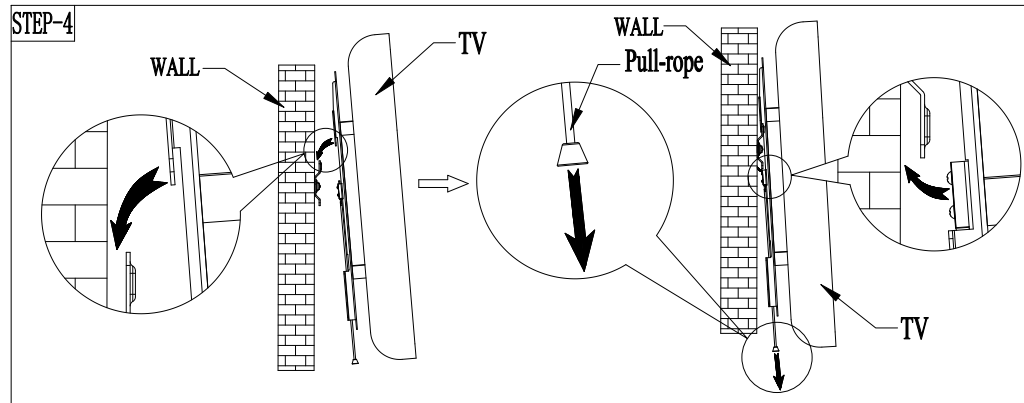
Step 2: Install the wall plate. Put the wall plate on the wall, and then screw four lag bolts into each plastic concrete anchor through metal washer to fix the lag bolt, the plastic concrete anchor and the wall.

STEP-3



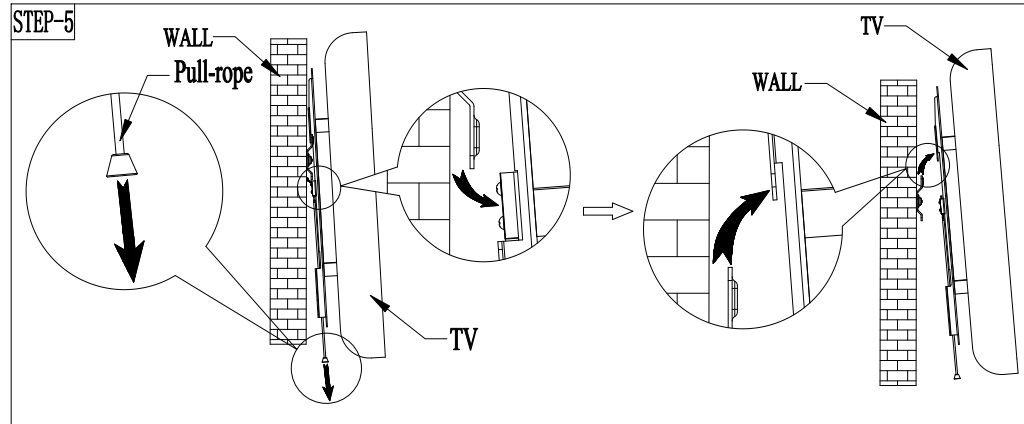
Step 3: Install the monitor brackets onto the back of the panel TV: screw two bolts into the holes in the back of the panel TV to install each monitor bracket. Make sure the distance from each bracket to the top of the panel TV is equal, and also as center as possible. The knob shall face outward of the panel TV. The parts shall be selected according to the dimensions of the holes in the back of the panel TV.

STEP-4



Step 4: Hang the two monitor brackets together with the panel TV on the wall plate. Then pull down the pull-rope in the end, push the two monitor bracket together with the panel TV toward the wall at the same time, relax the pull-rope after hanging the panel TV firmly, never relax the hands until they are caught hold of.

STEP-5



Step 5: Removing the TV from the wall plate
Pull down the pull-rope in the end, Pull the bottom of the TV slightly towards you and then lift the TV from the wall plate. Unlock the brackets to remove the TV from the wall plate.